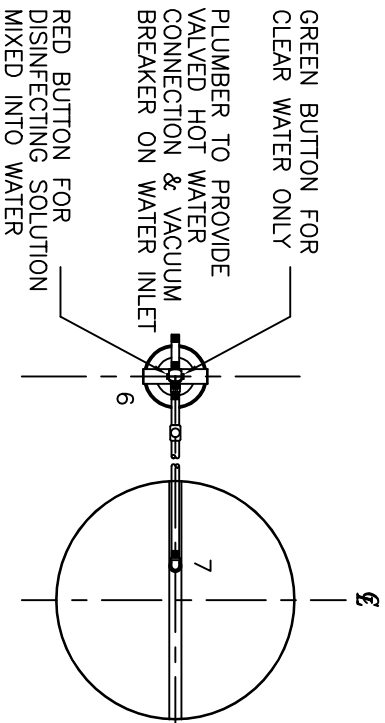
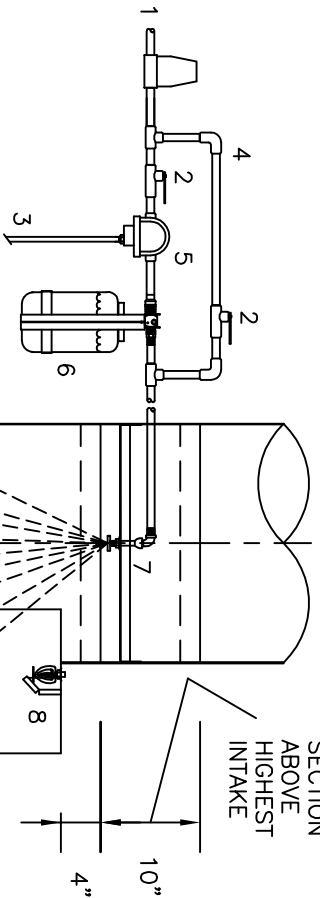


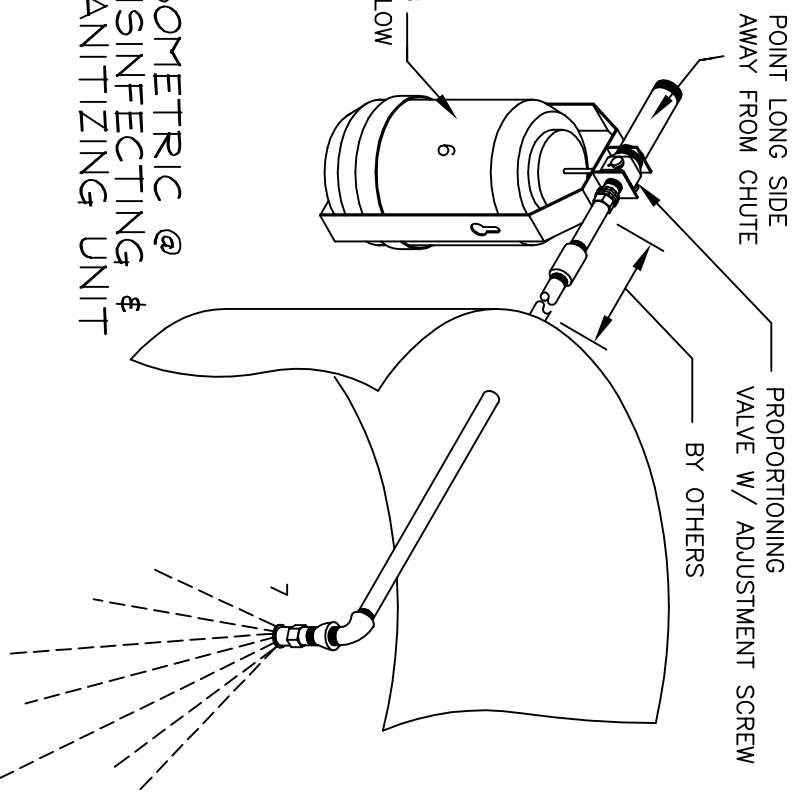
**PROPORTIONING VALVE OPERATION:**  
 Fill solution tank with concentrated disinfecting solution. The syphon hose should reach the bottom of the solution container. To flush with clear water turn on hand valve furnished by others and depress the green button on the proportioning valve. To flush with disinfecting solution depress the red button. The proportioning valve is set at the factory for 1/4 oz. of solution per gallon of water flow. Concentration can be adjusted up to 2 oz. per gallon by adjusting screw.



PARTIAL PLAN



PLUMBING SCHEMATIC @ DISINFECTING & SANITIZING UNIT



ISOMETRIC @ DISINFECTING & SANITIZING UNIT

- BY OTHERS
- 1 3/4" DOMESTIC HOT WATER INLET W/ VACUUM BREAKER
  - 2 1/4-TURN GATE VALVE (SHUTOFF & BY-PASS)
  - 3 1/2" CONDUIT TO SOLENOID VALVE (ABOVE HIGHEST INTAKE) FROM TRASH ROOM (CHUTE JANITOR ONLY)
  - 4 ALL PLUMBING MATERIALS & LABOR BY OTHERS
  - 5 6 VDC SOLENOID VALVE (OPTIONAL. NOT NEEDED FOR MANUAL OPERATION)
  - 6 D & S UNIT: 1-GAL. CONTAINER, MOUNTING BRACKET & PROPORTIONING VALVE AT REMOTE LOCATION
  - 7 FLUSHING HEAD ABOVE HIGHEST INTAKE
  - 8 FIRE SPRINKLER HEAD AT HIGHEST INTAKE (NFPA-82)

- ILLU: 1 -

DISINFECTING & SANITIZING UNIT  
 (D & S Unit) Installation / Use Instructions