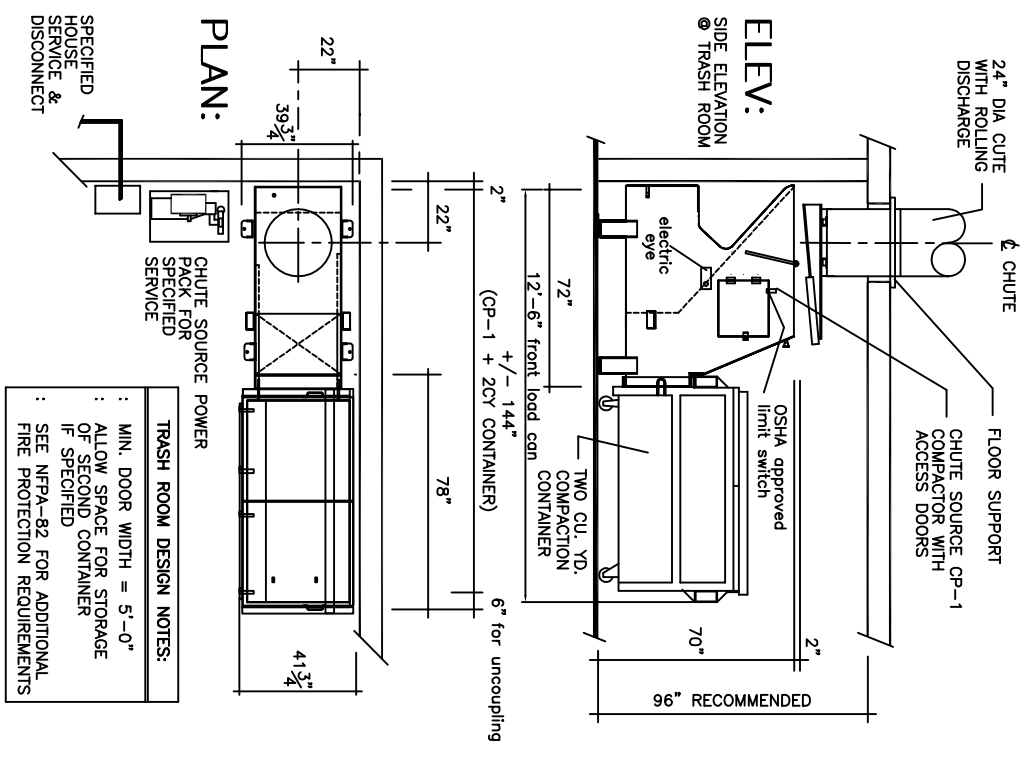


525 KENNEDY ROAD
AKRON, OHIO 44305

P: 330.733.3996
F: 330.733.4552

CHUTE SOURCE, LLC



- TRASH ROOM DESIGN NOTES:**
- : MIN. DOOR WIDTH = 5'-0"
 - : ALLOW SPACE FOR STORAGE IF SPECIFIED
 - : SEE NFPA-82 FOR ADDITIONAL FIRE PROTECTION REQUIREMENTS

CP1-C5

**** STANDARD FEATURES ****
Powder Coat Finish
Photo-Electric Eye, Adjustable Timer
OSHA Approved Door Safety Interlock
Internal Transformer

**** GENERAL ****

COMPACTOR MODEL:

	CP1-C5	CP1-C5-N-HD
Chamber Capacity	0.29 Cu. Yd.	0.25 Cu. Yd.
Cycle Time	28 Seconds	28 Seconds
Displacement/Hr (w/o Overload Protect=)	33 Cu. Yd.	28 Cu. Yd.
Ram Face Pressure (N)	54 Cu. Yd.	45 Cu. Yd.
Ram Face Pressure (M)	38 psi	38 psi
Packing Force (N)	51 psi	51 psi
Packing Force (M)	20,160 lbs.	16,416 lbs.
Ram Penetration	27,540 lbs.	22,032 lbs.
Chamber Opening	5 Inches	5 Inches
Ram Height	23"L x 30.5"W	23"L x 24.5"W
Ram Width	18 Inches	18 Inches
Overall Dimensions	30 Inches	24 Inches
Length w/ Container	72"Lx42"Wx69"H	72"Lx37"Wx69"H
	144 Inches	144 Inches

**** STRUCTURAL ****

**With standard photo-eye covers and optional single side latch handle*

Floor	3/8" Plate	1/2" Plate
Ram Face	3/8" Plate	1/2" Plate
Main Frame & Hopper	1/4" Plate	1/4" Plate
Ram Top & Base	1/4" Plate	1/4" Plate

**** HYDRAULIC ****

	CS PurPak	Motor Power
Power Unit	4" Bore	5HP, 1725 rpm
Cylinder	4 gpm	208/220/416/440V
Pump	10 Gal.	3Ph, 60 Hz/50 Hz
Oil Tank	2100 psi	Circuits Control
Normal Pressure	2500 psi	JZ10 Microprocessor
Relief Pressure	3000 psi	80% & 100% Full
Rated Pressure		Enclosures
		NEMA 12

**** ELECTRICAL ****