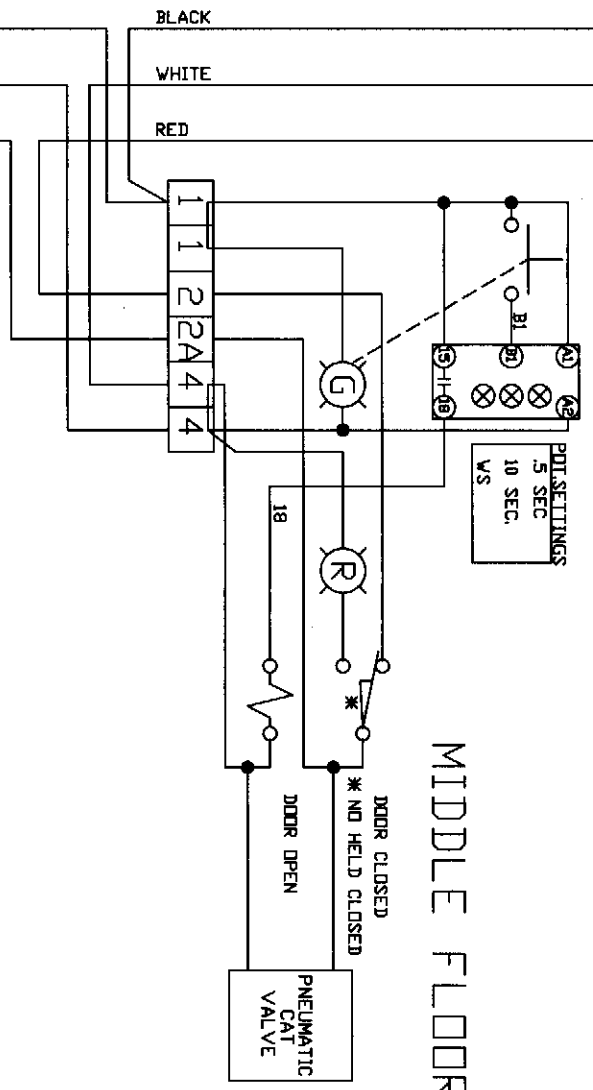
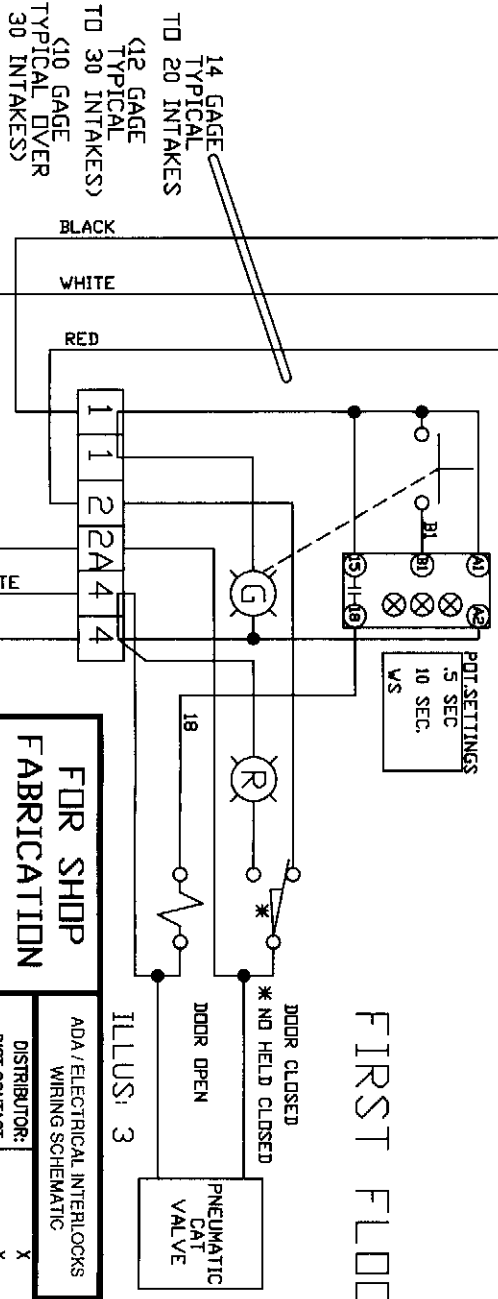


TOP FLOOR



MIDDLE FLOORS



FIRST FLOOR

ILLUS. 3

FDR SHOP FABRICATION				1 of 1	
ADA / ELECTRICAL INTERLOCKS WIRING SCHEMATIC					
DISTRIBUTOR: X		DIST. CONTACT: X			
CONTRACTOR: 1		ARCHITECT: 1			
CHUTE SOURCE, LLC					
525 KENNEDY ROAD AKRON, OHIO 44305 P. 330.733.3996 F. 330.733.4552					
DWG: ELECTRICAL INTERLOCKS WIRING					
BY: MC					

INSPECTIONS			REVISIONS		
ITEM	BY	DATE	DATE	DESCRIPTION	INIT
Throat Length		9-11-09			MC
Door Swing					
Story Heights					
Floor Clips		3 6-9-10			MC
Vent Pipe					
Swiveler					
Floor Frames					
Flush Spray					

Preced & Shaded by