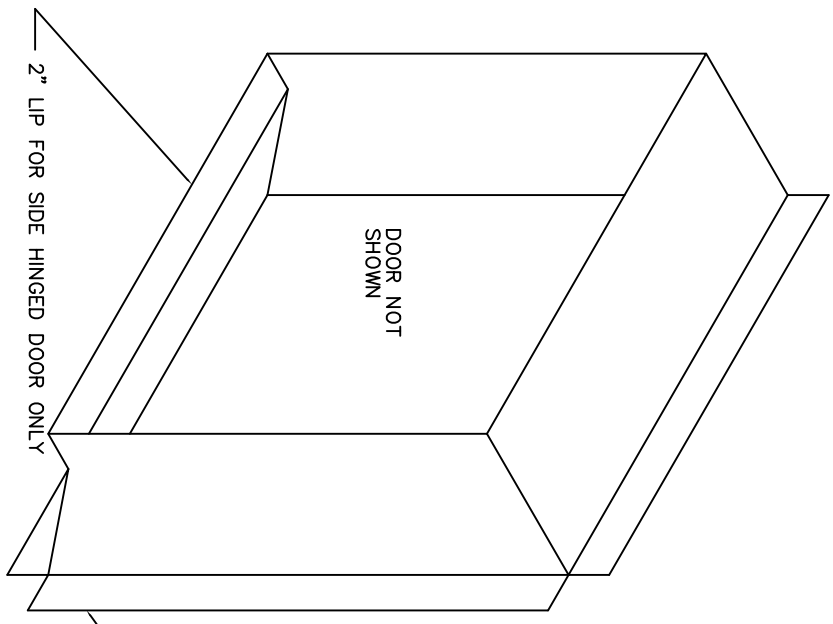
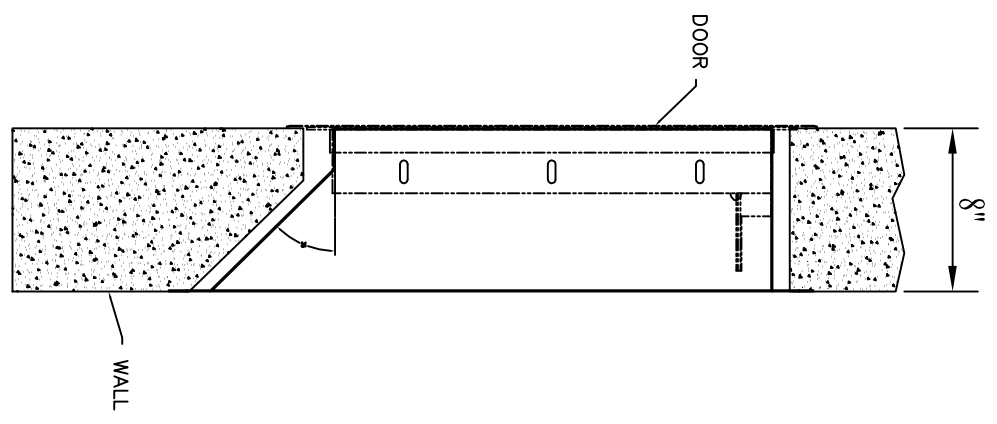


THRUWALL SLEEVE

Thruwall sleeve is made to accommodate a Chute Source "B" labled door. The sleeves unique design. Is similar to that of the intake door throat. The slope on the bottom of the sleeve enables the rubbish or linen to slide down into a container with little on no resistance. The sleeves are made in such a way that the doors can be removed and replaced with ease.

The sleeves may have a top hinged baffle closing off the intake throat behind them. When the door is opened the baffle closes off the opening and prevents air and entrained dust from backdrafting into the face of the user.



DOOR SIZE	FRONT WALL OPENING WIDTH	"A" HEIGHT
12 X 12	15 1/2	15 1/2
15 X 15	18 1/2	18 1/2
18 X 18	21 1/2	21 1/2
21 X 21	24 1/2	24 1/2
24 X 24	28	28

THRUWALL SLEEVE

Our standard thruwall sleeve is fabricated of ASI type 16 Ga. aluminized steel with a standard 35° angled slope.

THESE DRAWINGS ARE THE PROPRIETARY PROPERTY OF CHUTE SOURCE, LLC. THEY ARE BASED UPON PATENT/PATENT PENDING PRODUCTS OWNED/LICENSED BY CHUTE SOURCE, LLC.

THIS DOCUMENT IS PROVIDED ON THE CONDITION THAT IT CANNOT BE REPRODUCED, COPIED, OR OTHERWISE UTILIZED, IN WHOLE OR IN PART, FOR THE MANUFACTURE OF PARTS OR FOR USES OTHER THAN SHIP DRAWINGS. ACCEPTING THIS DOCUMENT IS AN ACCEPTANCE OF THESE CONDITIONS AND RECOGNITION OF THE EXCLUSIVE PROPRIETARY RIGHTS HELD SOLELY BY CHUTE SOURCE, LLC.

#	DATE	INT	REV
1	01-29-08	MC	
2			
3			
4			
5			
6			
7			

THRUWALL SLEEVE **1 of 1**

CHUTE SOURCE, LLC

525 KENNEDY ROAD
AKRON, OHIO 44305
P: 330.733.3996 F: 330.733.4552

DWG: THRUWALL SLEEVE.DWG BY:MC