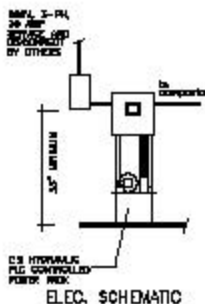
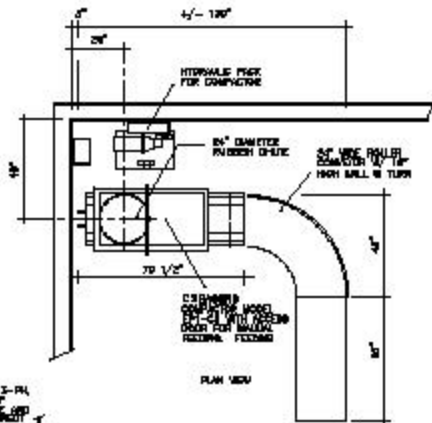
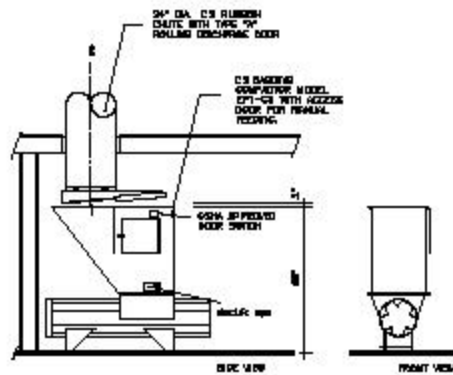


# EP1-C5

COMPACTOR EXTRUDES GARBAGE INTO A PLASTIC TUBE THAT CAN BE SECTIONED INTO INDIVIDUAL BAGS. AN IDEAL MACHINE FOR BUILDINGS WHERE THE TRASH ROOM IS BELOW GRADE.



- \*\* STANDARD FEATURES \*\***
- Powder Coat Finish
  - Photo-Electric Eye
  - Adjustable Timer
  - OSHA Approved
  - Door Safety Interlock
  - Internal Transformer
  - Emergency Stop Button
  - Access Doors on Both Sides

## \*\* GENERAL \*\*

COMPACTOR MODEL:	EP1-C5HD
Chamber Capacity	0.19 Cu. Yd.
Cycle Time	30 Seconds
Displacement/Hr	28 Cu. Yd.
Ram Face Pressure (M)	102 psi
Packing Force (N)	38,500 lbs.
Chamber Dimensions	24" L x 18" Diameter
Ram Diameter	17 inches
Overall Dimensions	70.5" L x 26" W x 58" H
Length w/ Roller Conveyor	122 inches

## \*\* STRUCTURAL \*\*

Cylindrical Body	3/8" HRS Plate
Hopper Impact Plate	1/4" Reinf. Plate
Hopper Sides & Front	18 Gage SM
Shut-Off Gate	1/4" Plate
Transition Saddle Sides	1/4" Plate
Transition Saddle Front/Back	3/4" Plate
Ram Face	1" Plate
Ram Body	1/4" Plate
Shear Teeth	Adjustable/ Removable Cast Iron

## \*\* HYDRAULIC \*\*

Power Unit	CS PurPak
Cylinder	4" Diameter
Pump	4 gpm
Oil Tank	18 Gal.
Normal Pressure	2100 psi
Relief Pressure	2200 psi
Rated Pressure	3000 psi

## \*\* ELECTRICAL \*\*

Motor	GHP, 1725 rpm
Motor Power	208/220/416/440V 3Ph, 60 Hz/60 Hz
Circuits	115 VAC, 24 VDC
Circuits Control	JE10 Microprocessor
Monitors	100% Digital Read-Out Full (Bag Away)
Enclosures	NEMA 12



Credentialed Products for the Architecturally Specified Waste-Handling Industry

525 KENNEDY ROAD  
AKRON, OHIO 44305  
P: 330.733.3996  
F: 330.733.4552