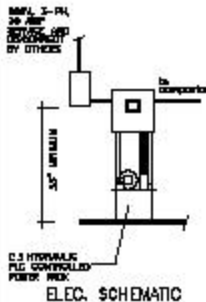
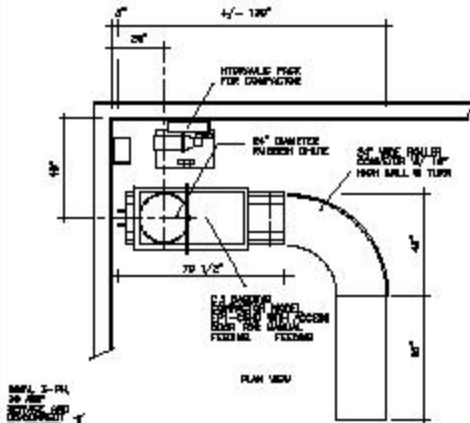
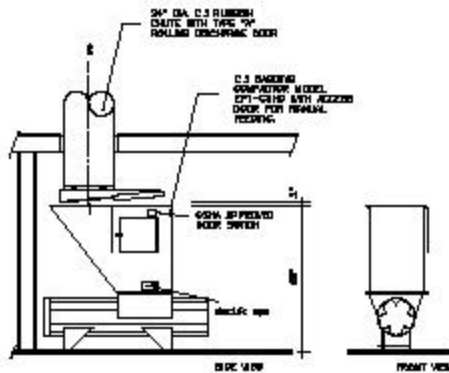


EP1-C5HD

COMPACTOR EXTRUDES GARBAGE INTO A PLASTIC TUBE THAT CAN BE SECTIONED INTO INDIVIDUAL BAGS
AN IDEAL MACHINE FOR BUILDINGS WHERE THE TRASH ROOM IS BELOW GRADE.



- ** STANDARD FEATURES ****
- Powder Coat Finish
 - Photo-Electric Eye
 - Adjustable Timer
 - OSHA Approved
 - Door Safety Interlock
 - Internal Transformer
 - Emergency Stop Button
 - Access Doors on Both Sides

** GENERAL **

COMPACTOR MODEL:	EP1-C5
Chamber Capacity	0.19 Cu. Yd.
Cycle Time	39 Seconds
Displacement/Hr	18 Cu. Yd.
Ram Face Pressure (M)	138 psi
Packing Force (N)	51,000 lbs.
Chamber Dimensions	24" L x 18" Diameter
Ram Diameter	17 Inches
Overall Dimensions	70.5" L x 28" W x 58" H
Length w/Roller Conveyor	122 Inches

** STRUCTURAL **

Cylindrical Body	3/8" HRS Plate (Cylinder Mounts are Removable for Future Ram or Cylinder Replacement)
Hopper Impact Plate	Two 1/4" Plates
Hopper Sides & Front	12 Gage SM
Shut-Off Gate	1/4" Plate
Transition Saddle Sides	1/4" Plate
Transition Saddle Front/Back	3/4" Plate
Ram Face	1" Plate
Ram Body	1/4" Plate
Shear Teeth	Adjustable/ Removable Cast Iron

** HYDRAULIC **

Power Unit	CS PowerPak
Cylinder	4" Diameter
Pump	4 gpm
Oil Tank	18 Gal.
Normal Pressure	2100 psi
Relief Pressure	2200 psi
Rated Pressure	3000 psi

** ELECTRICAL **

Motor	5HP, 1725 rpm
Motor Power	208/220/415/440V 3Ph, 60 Hz/50 Hz
Circuit	115 VAC, 24 VDC
Circuit Control	JZ10 Microprocessor
Monitors	100% Digital Read-Out Pull (Bag Away)
Enclosures	NEMA 12

CHUTE SOURCE LLC

Credentialed Products for the
Architecturally Specified
Waste-Handling Industry

525 KENNEDY ROAD
AKRON, OHIO 44305
P: 330.733.3996
F: 330.733.4562